

# T-LEX Update

Akira Kato



Univ. of Tokyo/WIDE Project  
kato@wide.ad.jp

## T-LEX



Tokyo Lambda EXchange

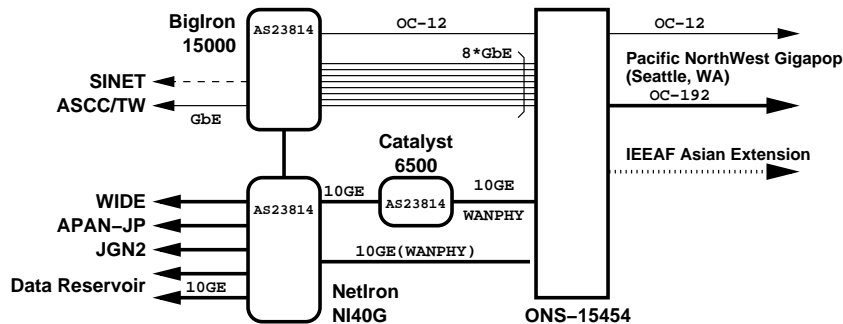
### ☆ Tokyo Lambda Exchange

- It terminates the IEEAF circuits from Seattle
  - Unprotected OC-192c and protected OC-12c
- It interconnects with Japanese R&D networks
  - At layer-2 and layer-3
  - Layer-1 interconnect is potentially available
- Base for future IEEAF Asian extension

### ☆ IEEAF

- Internet Educational Equal Access Foundation
- <http://www.ieeaf.org/>

## The Configuration



- ☆ **Users access through JGN2 or WIDE at layer-2**
- ☆ **Access from SINET is being discussed**
  - MPLS tunnel enabled?

## Update from Bangkok Meeting

- ☆ **Enhance the gear**
  - Additional 2 OC-192 blades for the ONS-15454
    - WANPHY access
    - Possible Asian extension
  - Additional 4port 10GE blade for NI40G
- ☆ **10GE WANPHY Test**
  - WANPHY interoperability
    - Foundry NI40G
    - Catalyst6500
    - Hitachi GS4000/Alaxala AX7800S
    - Force10 E-1200

## Update from Bangkok Meeting

### ☆ OC-12c circuit

- A Bigiron4000 is installed in Seattle
  - Touches down to PWave at GbE
- POS link between BI15000/Tokyo and BI4000/Seattle
- Support control traffic
- Support direct peering with PNWGigapop and others
  - IPv4 standard frame space
  - IPv6 standard frame will be supported

## Participated Events

### ☆ Aichi World Exposition

- Uncompressed HDTV transmission
  - Amsterdam to the venue
- Remote Jazz Jam session
  - with Internet metronome technology

### ☆ n-way HDTV arranged by Research Channel

- iGRID2005 and SC|05
- WIDE Participated from 21F KDDI building
- Cars (traffic jam) of express way

### ☆ Data Reservoir

- IPv6 LSR approved before SC|05
  - 5.58Gbps Jumbo in a single TCP stream
  - 167.4Pbm/s in single/multiple IPv6 stream classes

## On-going activity

### ☆ **4\*STM-1 access to CHEP06**

- 13-17 Feb in Mumbai at TIFR
- VSNL offers 4\*STM-1 (not a STM-4)
- Local access improvement is proposing
  - Upgrade the OC-12 to VSNL Tokyo to OC-192
  - Accomodate OC-12 as well as 4\*OC-3s

### ☆ **"Monitorable" functionality development**

- Enable monitor traffic remotely
- Prof. Hiraki's special NIC w/ FPGA will be introduced
  - Pick headers w/ timestamp at 10GE

## GLIF 2006 Meeting

### ☆ **3rd GLIF Meeting will be held in Tokyo**

- Akihabara (exactly same location as APAN)
  - Good reason to return back here again
- Sep 11-12 for GLIF Meeting
  - Working group sessions
- Sep 13: Open symposium for Japanese audience
  - No translation to English provided, sorry
- Sep 14-15 : ONT3
  - Invitation-only workshop